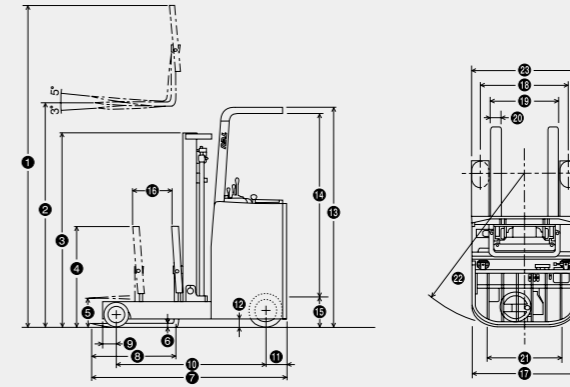


## ■ Main Truck Specifications

Specifications	1	Manufacturer		TEU						
	2	Model		FRB15	FRHB15	FRB18	FRHB18			
	3	Load capacity		kg		1500	1800			
	4	Load center		mm						
	5	Power unit		Battery						
	6	Operator type		Stand type						
	7	Tire type		Solid tire						
Dimension	8	Max.lifting height		mm	3000	4000	3000	4000		
	9	Free lift		mm	105		110			
	10	Fork size L × W × T		mm	920 × 100 × 35		920 × 100 × 38			
	11	Tilt angle Mast forward/Backward		deg	3°/5°					
	12	Total length(without fork)		mm	1710	1890	1895	1895		
	13	Total width		mm	1090					
	14	Mast height		mm	1995	2495	1995	2495		
	15	Overall height(fork raised)		mm	3925	4925	3925	4925		
	16	Height of head guard		mm	2260					
	17	Turning radius(outside)		mm	1580	1760				
	18	Distance from front wheel center to forks face		mm	165		170			
	19	Right angle stacking aisle		mm	2470	2540	2550			
20	Reach distance (mast)		mm	560	705					
Performance	21	Max.travelling speed fw/bw		full load	km/h	10.5		10.5		
				no load	km/h	11				
	22	Lifting speed		full load	mm/s	270		250		
				no load	mm/s	510		510		
23	Lowering speed		full load	mm/s	450					
			no load	mm/s	550					
24	Gradeability(full load)		%	10						
Weight	25	Truck weight(without battery)		kg	1735	1725	1825	1905		
	26	Weight distribution (with standard battery)		full load	front axle	kg	2350	2150	2465	2510
					rear axle	kg	1375	1565	1650	1685
				no load	front axle	kg	710	670	690	730
rear axle					kg	1515	1545	1625	1665	
Chassis & Wheels	27	Tires		number	front/rear	2/1X+2(X=driven)				
				size	front, load	mm	φ 254 × 120			
					rear, drive	mm	φ 330 × 145			
					rear, steering	mm	φ 178 × 73			
	28	Wheelbase		mm	1345	1525	1525	1525		
29	Tread		mm	970/635						
30	Ground clearance		at lowest point	mm	75					
			mast	mm	75					
31	Brake		service brake	Mechanical						
			parking brake	Mechanical						
Drive line	32	Battery(standard)		voltage/capacity	V/AH	48v/280				
	33	Battery weight(standard)		kg	490					
	34	Electric motors		Drive motor	kw/60min	4.6				
				Hydraulic motor	kw/5min	8.2				
				Steering motor	kw/60min	0.3				
	35	Control type		Drive motor	AC converter					
Hydraulic motor				DC chopper						
Steering motor				DC chopper						
36	Operating pressure		kg/cm²	140		160				

## Standard dimension



Model	Items	Battery box size L×W×H	Capacity	Weight(with battery box)
FR(H)B15/FR(H)B18		375×956×570 (mm)	280AH/5H	490kg

Model		FRB15	FRB18	FRHB15	FRHB18
B Overall height fork raised(with backrest)	mm	3925	3925	4925	4925
C Max.lifting height	mm	3000	3000	4000	4000
D Overall height(fork lowering)	mm	1995	1995	2495	2495
E Height of backrest	mm	900	900	900	900
F Free lift	mm	105	110	105	110
G Fork thickness	mm	35	38	35	38
H Length	mm	2070	2110	2105	2110
I Fork length	mm	920	920	920	920
J Front overhang	mm	130	130	130	130
K Wheelbase	mm	1345	1525	1525	1525
L Rear overhang	mm	200	200	200	200
M Ground clearance(truck body)	mm	75	75	75	75
N Height of head guard	mm	2260	2260	2260	2260
O Height from head guard to pedal	mm	1910	1910	1910	1910
P Height of pedal	mm	310	310	310	310
Q Reach distance(mast)	mm	560	705	705	705
R Width	mm	1090	1090	1090	1090
S Tread (front)	mm	970	970	970	970
T Fork spread(outside)	mm	250-720	250-720	250-720	250-720
U Fork width	mm	100	100	100	100
V Tread (rear)	mm	635	635	635	635
W Turning radius(outside)	mm	1580	1760	1760	1760
X Mast bracket width	mm	1080	1080	1080	1080

## Wide view mast VM

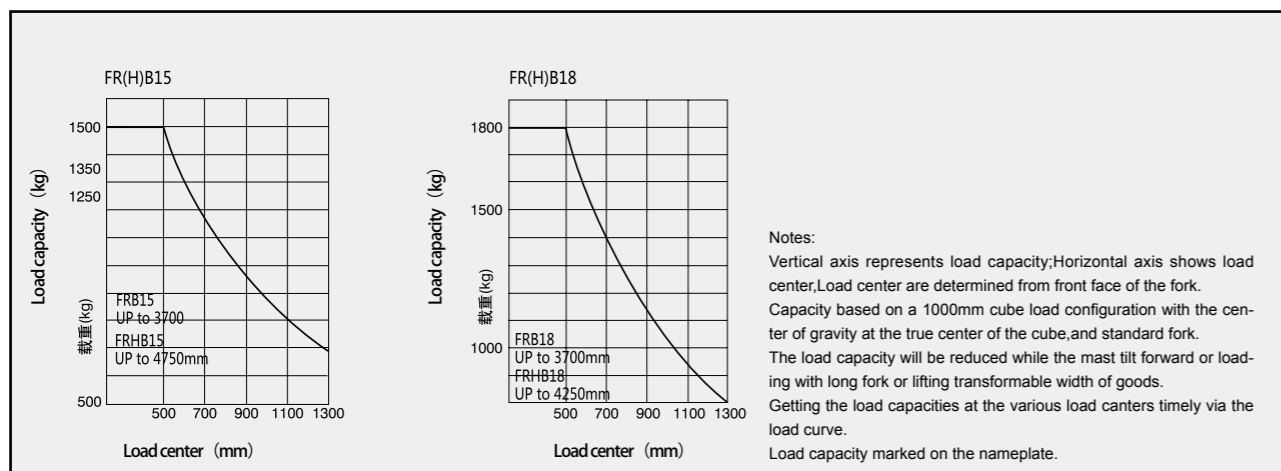
Mast model	Max.lift height	Mast height		Load capacity			
		fork lift	fork lowered	FRB15	FRB18	FRHB15	FRHB18
	mm	mm	mm	kg	kg	kg	kg
VM270	2700	3625	1845	1500	1800	-	-
VM300	3000	3925	1995	1500	1800	-	-
VM330	3300	4225	2145	1500	1800	-	-
VM350	3500	4425	2245	1500	1800	-	-
VM370	3700	4625	2345	1500	1800	-	-
VM400	4000	4925	2495	1400	1700	1500	1800
VM425	4250	5175	2670	1350	1650	1500	1800
VM450	4500	5425	2795	1350	1600	1500	1700
VM475	4750	5675	2920	1200	1500	1500	1600
VM500	5000	5925	3045	1200	1450	1300	1500

## 3 stage free lift mast VFHM

Mast model	Max.lift height	Mast height		Load capacity	
		fork lift	fork lowered	FRHB15	FRHB18
	mm	mm	mm	kg	kg
VFHM400	4000	4925	1870	1500	1800
VFHM435	4350	5275	1995	1500	1700
VFHM480	4800	5725	2145	1400	1600
VFHM500	5000	5925	2245	1400	1500
VFHM550	5500	6425	2410	1200	1300
VFHM600	6000	6925	2595	650	700

# FRB Series 15-18

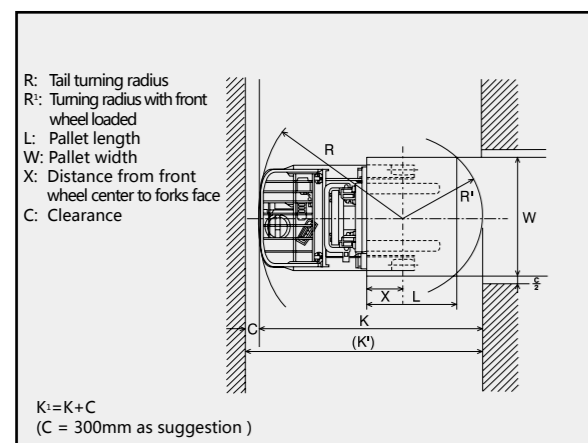
## Electric Reach Forklift Truck



### Right angle stacking aisle

Pallet size (W,L)	W		L		W		L		W		L		Unload
	1000	800	1100	800	1000	1000	1100	1000	1200	1000	1100	1100	
FRB15	2220		2260		2360		2400		2430		2470		2200
FRHB15	2320		2370		2440		2480		2520		2540		2260
FRB18	2330		2370		2440		2480		2520		2550		2270
FRHB18	2330		2370		2440		2480		2520		2550		2270

### Right angle stacking aisle



### Standard equipments:

- Wide view mast ● Back rest, Axial carrier ● 920mm fork ● Electric power steering ● Head guard ● Tilt lever, Lifting lever, Reach lever ● 3th valves with safety valve (lifting, tilt, reach) ● Hydraulic Oil Gauge ● load one-way valve ● lifting oil way governor valve ● disc brake ● Drawer type battery case ● open holder ● armrest ● backrest ● Emergency cut-off device ● Undervoltage protection ● Lifting speed control ● Headlamp ● Reversing buzzer ● Electric horn ● Neutral-safety switch ● Steering indicator lamp ● Liquid crystal display ● Folder ● Tools

### Options:

- Mast & Attachments ● 3 stage free lift mast VFHM ● Side shifter ● Flat clamp ● Paper roll clamp

### Others:

- Rotating warning light ● Rear work light

### Notes:

TEU products and specifications changes without prior notice.  
TEU forklift truck equips with standard safety device.  
TEU is not responsible for the damage occurred by removing its safety device.



## Anhui TEU Forklift Truck Co., Ltd.

Tel: 0086-551-65717981 65717980

Fax: 0086-551-65711998

Zip: 230601

Add: Economic and Technological Development Zone, Hefei, Anhui, China.

Email: admin@teuforklift.com

Web: www.teuforklift.com

Distributor:

## Three Features



### 1 Convenient battery sliding device

Power-driven pull type battery, equipped with slide, convenient for examining and maintenance, durable and lighter.



### 3 Linkage system

Linkage mechanism with independent training wheel, make vehicle more stable, and adopted with copper alloy self lubricating bearing, maintenance free.

### 2 Wide vision

Comparing with counter balanced battery forklift, the mast view of reach truck is increased by 10%, which make operation easier.

